

CLARK

WP

ELECTRIC 24 VOLT



Max Load Capacity
3000 lbs.
(1360 kg)

CLARK

WP STANDARD FEATURES & BENEFITS



ERGONOMIC STEER/CONTROL HANDLE

- **Solid steel tubing**
 - Solid steel tubing arm and handle designed to outlast cast aluminum or plastic designs.
- **Operator Control**
 - Handle offers travel, lift and lower functions all accessible without the operator having to lift a hand from the handle.
- **Angle grips**
 - Designed to allow easy operation with either hand.
- **Wrap around steel guard**
 - Reversing switch, thumb control, and horn are standard.
- **Minimum steering effort**
 - Low mounted tiller arm offers excellent operator comfort.
- **Gas assisted spring handle**
 - Gently returns handle to vertical position.
- **Crawl speed function**
 - With the steer handle at 5° back-tilt from vertical position operator has ease of use in tight areas.

DRIVE MOTOR

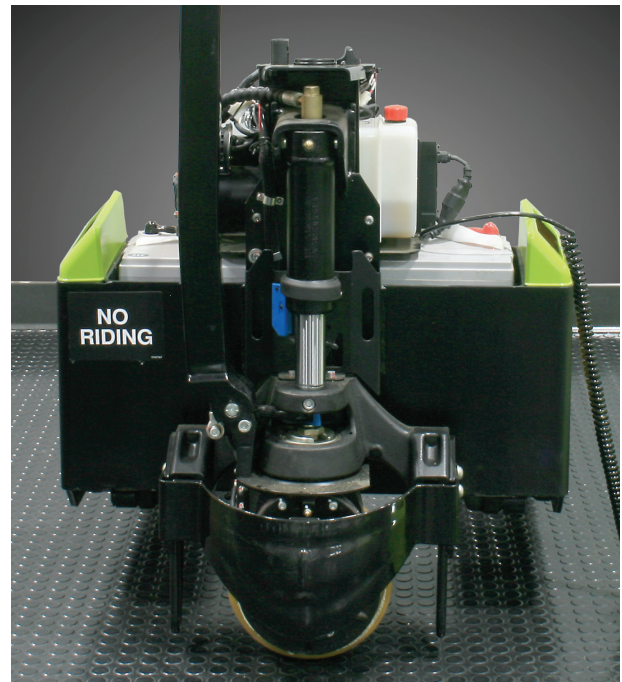
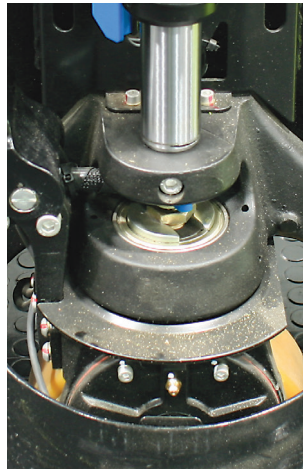
- 24-Volt permanent magnet DC drive motor increases efficiency and duty cycle.

BRAKES

- Parking brake is automatically applied when truck stops and handle is released.

HYDRAULIC SYSTEM

- Lift cylinder has durable, chrome-plated lift rod provides smooth lifting and lowering.



SERVICEABILITY

- Removable one piece power head cover allows for easy maintenance.

Available Equipment

- Variety Of Fork Sizes (27" X 48" Is Standard)
- Fork Widths: 18", 22", 27" (Standard)
- Fork Lengths: 32" (Popular for Beverage Industry), 36", 42", 48" (Standard), 60"
- Load Back Rest - 48" or 60"
- Optional Adjustable, Non-Marking Poly-Stabilizing Pads

Notes

Performance may vary +5% and -10% due to motor and systems efficiency tolerance. The performance shown represents nominal values which may be obtained under typical operating conditions with a standard machine.

ANSI/ITSDF and Insurance Classification

Standard truck meets all applicable mandatory requirements of Part III-ANSI/ITSDF B56.1 Safety Standard for Powered Industrial Trucks (latest edition at time of manufacture.)

Users should be aware of, and adhere to, applicable codes and regulations regarding operator training, use, operation and maintenance of powered industrial trucks, including:

- ANSI/ITSDF B56.1
- NFPA 505, fire safety standard for powered industrial trucks - type designations, areas of use, maintenance and operation.
- Occupational Safety and Health Administration (OSHA) regulations that may apply.

Contact your authorized CLARK forklift truck dealer for further information including operator training programs and auxiliary visual and audible warning systems, fire extinguishers, etc., as available for specific user applications and requirements.

Specifications, equipment, technical data, photos and illustrations are based on information at time of printing and are subject to change without notice. Some products may be shown with optional equipment.

STANDARD SPECIFICATIONS

General Information	1	Manufacturer		Clark	
	2	Model	Manufacturer's Designation	WP 30	
	3	Load Capacity		lbs(kg)	3000 (1360)
	4	Load Center	Fork Face Load CG	in(mm)	24 (600)
	5	Power Unit	Electric		24 volt
	6	Operator Type			Walkie pallet
	7	Tire Type	Drive/Steer - load		Polyurethane / Polyurethane
	8	Wheels (x=driven)	Front/Rear		1x / 2
Basic Dimensions	13	Fork	Lift height to top of fork	in(mm)	7.5 (191)
			Lowered height at heel/toe	in(mm)	3.0 (76)
			Thickness	in(mm)	1.9 (48)
			Width	in(mm)	6.0 (152)
			Usable length ¹	in(mm)	45.5 (1156)
	15	Overall Dimensions	Length to Fork Face	in(mm)	18.8 (478)
			Overall width, forks	in(mm)	27.0 (686)
	17		Width	in(mm)	27.0 (686)
	18		Height	in(mm)	26.5 (673)
	19	Handle Height	Ground to tip of released handle	in(mm)	49.0 (1245)
23	Turning Radius		in(mm)	58.0 (1473)	
24	Head Length	Front of frame to center of drive tire	in(mm)	6.3 (160)	
Perfor.	28	Speeds	Travel Speed, Max w/ Load	mph(kph)	2.5 (4.0)
	29		Travel Speed, Max w/o Load	mph(kph)	2.8 (4.5)
Wt.	34	Service Weight	Including battery	lbs(kg)	450 (204)
	39	Tires	Number, Front/Rear		1 / 2
Chassis	40		Size, Front	in(mm)	8.26 X 2.76 (210X70)
			Size, Rear	in(mm)	2.36 X 3.15 (60X80)
			Size, stabilizing casters	in(mm)	N/A
	41	Wheelbase	With forks lowered	in(mm)	49.5 (1257)
	44	Ground Clearance	Minimum without Load	in(mm)	0.3 (7)
	45		At center of wheelbase	in(mm)	0.8 (20)
			At front of frame	in(mm)	2.7 (68)
	46	Service Brake	Type		Regenerative
	47	Parking Brake	Actuation		Auto electromagnetic
		Steering	Type		Pivot arm
Drive Line	48	Battery	Type		AGM
			Max. capacity (5 hr. rate)	Ah	70
			Weight, minimum	lbs(kg)	111 (50)
			Weight, maximum	lbs(kg)	N/A
	49	Motors, Controls	Drive motor, diameter	in(mm)	5.1 (129)
			Hydraulic motor, diameter	in(mm)	3.0 (75)
			Drive motor control		Curtis enAble 1212
			Speed control		Infinitely variable
			Hydraulic motor control		Contactora
57	Hydraulic Pressure	For lift	psi	1600	

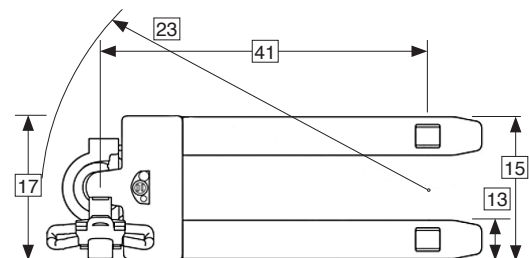
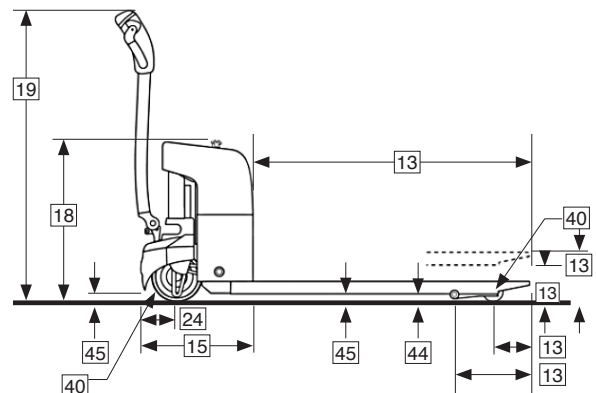
Notes: 1 Other fork lengths and widths combinations available.

Pallet Specifications

	inches	mm
Type:	Double Faced Wood	
Size:	Length	48 1219
	Width (min-max)	32-48 813-1219
Bottom Board	Nominal Thickness	0.75 19

Available Fork Lengths

Nominal Length		Actual Length	
inches	mm	inches	mm
32	813	32	815
36	914	36	915
42	1067	42.1	1070
48	1219	45.5	1220





OVER 100 YEARS OF MATERIAL HANDLING INNOVATION

A Centennial is an important milestone which not only celebrates longevity, but testifies to the strength of the CLARK brand across generations. This is reflected in the more than one million lift trucks manufactured by CLARK Material Handling Company over the past 100 years. Even more powerful than the number of trucks built is the company's legacy of innovation. It began in 1917 when employees of CLARK Equipment Company constructed a simple three-wheeled shop buggy to haul sand and castings between buildings at their Buchanan, Michigan plant. The "Trutractor" as the shop buggy was named, became



the first internal combustion material handling truck and was a great success. The industrial truck was born and in the process CLARK developed the first hydraulic lift. Through the years, many extraordinary inventions followed, among them the nested I-beam upright, overhead guard and operator restraint system. The founding principles of Eugene B. Clark are still true: "Aim always to build the best; never be content with just as good." Today the company remains focused on a bright future and the technologies and trends driving the material handling industry around the world. One Purpose, One Brand, One Legacy, One Century.

CLARK MATERIAL HANDLING COMPANY
North American Headquarters
700 Enterprise Drive • Lexington, KY 40510
866-252-5275 • www.clarkmhc.com



To Find Your Nearest Authorized
CLARK Dealer, Visit Our Website
www.clarkmhc.com

WP30 Feature Brochure
59-894-2042 Printed in USA rev0TP01182.5K
© 2018 CLARK Material Handling Company